

# Z-Vent

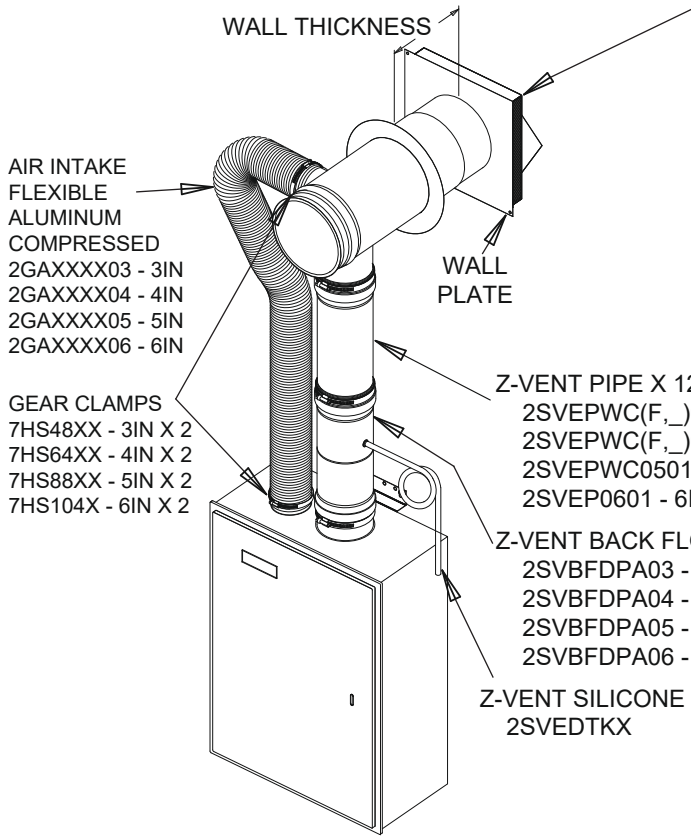
## Coaxial Horizontal Termination

### Kit: 2SVSHTCKIT\_ \_ \_

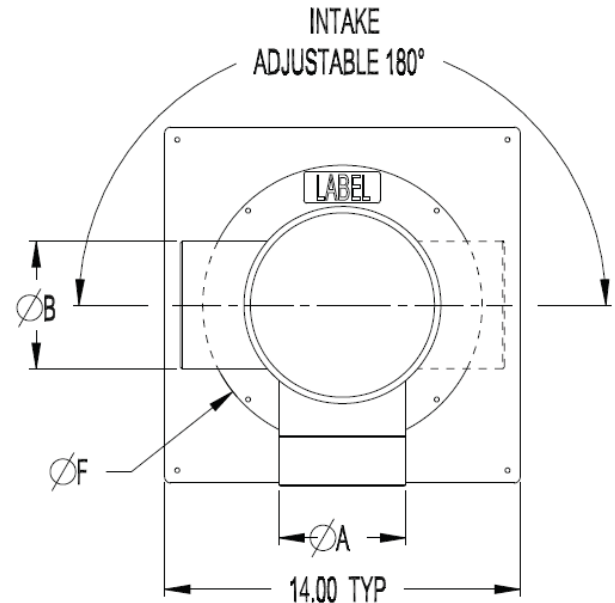
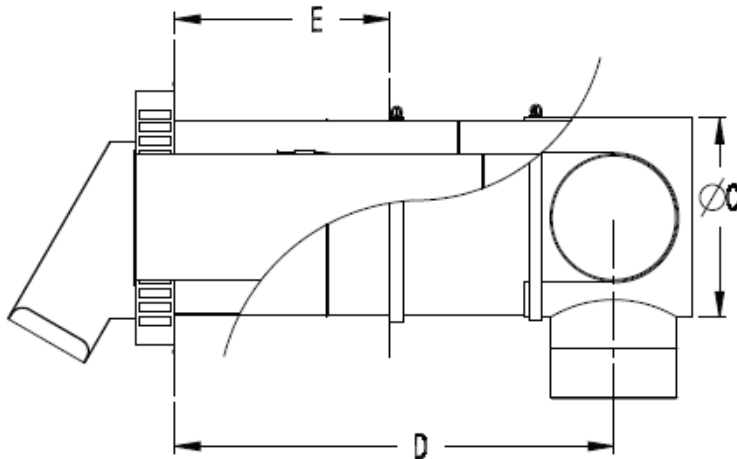


#### CONTENTS INCLUDES

(1 EACH IN APPROPRIATE DIAMETER EXCEPT WHERE NOTED):



| Coaxial Termination | Vent Diameter "A" (inches) | Air Intake Diameter "B" (inches) | Wall Drill Diameter Minimum "C" (inches) | Back of Wall Plate to Centerline of Vent/Air Intake "D" Min-Max (inches) | Adjustable Wall Thickness Maximum "E" (inches) | Trim Diameter "F" (inches) |
|---------------------|----------------------------|----------------------------------|--|--|--|----------------------------|
| 2SVSHTC03S          | 3                          | 3                                | 5  | 8-12   | 9  | 9                          |
| 2SVSHTC03           | 3                          | 3                                | 5  | 12-21  | 17.5   | 9                          |
| 2SVSHTC43S          | 4                          | 3                                | 6  | 8-12   | 9  | 10                         |
| 2SVSHTC43           | 4                          | 3                                | 6  | 12-21  | 17.5   | 10                         |
| 2SVSHTC04S          | 4                          | 4                                | 7  | 8-12   | 9  | 10                         |
| 2SVSHTC04           | 4                          | 4                                | 7  | 12-21  | 17.5   | 10                         |
| 2SVSHTC05S          | 5                          | 5                                | 8  | 11-17  | 12   | 11                         |
| 2SVSHTC05           | 5                          | 5                                | 8  | 17-21  | 17.5   | 11                         |
| 2SVSHTC06S          | 6                          | 6                                | 9  | 11-17  | 12   | 12                         |
| 2SVSHTC06           | 6                          | 6                                | 9  | 17-21  | 17.5   | 12                         |



#### COAXIAL TERMINATION (SEE TABLE)

##### Notes:

1. Coaxial Termination can be purchased separately.
2. Air intake "B" can accept flexible aluminum duct or single wall metal pipe (C-vent) or PVC.

Canada: 452 Attwell Drive, Etobicoke, ON M9W 5C3 tel: 416.679.0045 • fax: 416.679.0051

U.S.A.: 20 Commerce Park North, Bedford, New Hampshire 03110 tel: 603.669.5136 • fax: 603.669.0309 • 800.654.5600